

## Cisco Video Surveillance 2530 Series Standard-Definition IP Dome

The Cisco® Video Surveillance 2530 Series IP Dome is a feature-rich digital camera designed for superior performance in a wide variety of video surveillance applications and environments. The camera employs MPEG-4 and MJPEG compression of up to 30 frames per second (fps) at D1 NTSC resolution (720 x 480) or 25 fps at D1 PAL resolution (720 x 576), offering efficient network utilization while providing high-quality video. Two-way audio and contact closures allow integration with microphones, speakers, and access control systems. This vandal-resistant dome can be deployed indoors or outdoors. With its open, standards-based design, the camera provides an ideal platform for integration and operation as an independent device or as part of a Cisco Video Surveillance network.

Figure 1 shows the Cisco Video Surveillance 2530 Series IP Dome.

**Figure 1.** Cisco Video Surveillance 2530 Series IP Dome



The Cisco Video Surveillance 2530 Series IP Dome offers a variety of benefits, including:

- **Wide dynamic range.** The camera employs powerful digital imaging technology, allowing it to capture high-quality images in a wide variety of indoor and outdoor lighting conditions. It uses a progressive scan image sensor with global electronic shuttering to ensure natural color rendition, zero blooming and smear, and minimal motion blurring.
- **Dual streaming.** The camera can stream MPEG-4 and MJPEG video simultaneously. Each video stream can be configured with individual resolution, quality, and frame rate settings.
- **Embedded security and networking.** The camera provides 802.1X authentication and hardware-based Advanced Encryption Standard (AES). For enhanced bandwidth management, the camera supports IP Multicast.
- **Event notification.** The camera can examine designated areas in the video for motion activity and then notify users or other applications when it detects activity that exceeds a predefined threshold. The camera also provides two digital inputs and two digital outputs that can initiate specific actions when an alarm is detected.
- **Bidirectional audio.** The camera supports full-duplex audio and provides options for half-duplex operation.

- **Indoor/outdoor mounting options.** The camera is designed for mounting onto surfaces by using the included conduit case or a standard electrical junction box. The camera is equipped with a varifocal lens mounted to a manual pan and tilt mechanism that allows the camera to be rotated and placed at the proper angle.
- **Day/Night operation.** The camera provides true day/night operation and includes an IR filter that automatically switches to night mode in low-light scenes. This function can be set to manual or automatic control.
- **Fan/heater operation.** The camera includes a fan and heater unit that automatically maintains a desirable internal temperature, allowing the camera to operate in outdoor conditions.
- **Cisco Media Application Programming Interface.** The camera supports the Cisco Media API, which is an open, standards-based interface that allows integration with compatible video surveillance management systems.

## Features

Table 1 describes the features of the Cisco Video Surveillance 2530 Series IP Dome.

**Table 1.** Cisco Video Surveillance 2530 Series IP Dome Features

Item	Specification
<b>Imaging device</b>	1/3-in. Progressive-scan RGB CMOS sensor with wide dynamic range
<b>Image control</b>	Automatic white balance (AWB), automatic back lighting, automatic gain control (AGC), automatic exposure (AE), auto iris.
<b>Dynamic range</b>	102 dB typical/120 dB maximum
<b>Minimum illumination</b>	<ul style="list-style-type: none"> <li>• Color mode: F1.4 @ 0.4 lux (.04 fc)</li> <li>• Black and white mode: F1.4 @ 0.04 lux (0.004 fc)</li> </ul>
<b>Signal-to-noise ratio (SNR)</b>	>48 dB
<b>Shutter</b>	Electronic Shutter
<b>Lens</b>	DC auto-iris lens with day/night Zoom: 3.5x Field of View: <ul style="list-style-type: none"> <li>• Horizontal: 22°–76°</li> <li>• Vertical: 17°–56°</li> </ul>
<b>Camera Angle Adjustment</b>	Pan: 340° Tilt: 160° Rotation: 200°
<b>Video compression</b>	MPEG-4 SP level 0 to 4, ASP level 0 to 5, MJPEG
<b>Audio compression</b>	G.711 A-Law, G.711 U-Law, G.726
<b>Resolution and frame rate</b>	<ul style="list-style-type: none"> <li>• NTSC/PAL <ul style="list-style-type: none"> <li>◦ 720 x 480/576 @ 30/25 fps (D1)</li> <li>◦ 704 x 480/576 @ 30/25 fps (4CIF)</li> <li>◦ 352 x 240/288 @ 30/25 fps (CIF)</li> </ul> </li> </ul>
<b>Video streaming</b>	<ul style="list-style-type: none"> <li>• Single-stream MPEG-4 up to D1 720 x 480/576 @ 30/25 fps</li> <li>• Single-stream MJPEG up to D1 720 x 480/576 @ 15 fps</li> <li>• Dual-stream: MPEG-4 and MJPEG <ul style="list-style-type: none"> <li>◦ Primary stream MPEG-4 programmable up to 704 x 480/576 @ 25/20 fps</li> <li>◦ Secondary stream MPEG-4/MJPEG (selectable) programmable up to 352 x 240/288 @ up to 15 fps</li> </ul> </li> </ul>
<b>Protocols</b>	Dynamic Host Control Protocol (DHCP), File Transfer Protocol (FTP), Hypertext Transfer Protocol (HTTP), Secure HTTP (HTTPS), Network Time Protocol (NTP), Real-Time Transport Protocol (RTP), Real-Time Streaming Protocol (RTSP), Simple Mail Transfer Protocol (SMTP), Secure Sockets Layer/Transport Layer Security (SSL/TLS), Transmission Control Protocol/Internet Protocol (TCP/IP) 802.1x
<b>Quality of service (QoS)</b>	Differentiated Services Code Point (DSCP) marking
<b>Power</b>	24 VAC, isolated external power supply

Item	Specification
<b>Power Consumption</b>	15 W (max) Heater ON: 35 W (max)

## Connectors

Table 2 describes the connectivity and connectors of the Cisco Video Surveillance 2530 Series IP Dome.

**Table 2.** Cisco Video Surveillance 2530 Series IP Dome Connectors

Item	Specification
<b>Network connectivity</b>	10/100 BASE-TX Ethernet with RJ-45 connector
<b>Video</b>	3.5-mm service connector, provides analog video (use with included mini cable with BNC adapter during installation)
<b>Audio</b>	<ul style="list-style-type: none"> <li>3.5-mm audio jack—audio input for optional external microphone and audio output for option external speaker supported through Y-cable adapter</li> <li>Two-way (full- or half-duplex), one-way or audio off</li> </ul>
<b>Alarm input</b>	Two logic-level programmable inputs
<b>Alarm output</b>	Two logic-level programmable outputs
<b>Power input</b>	3-pin terminal

## Software

Table 3 describes the primary features of the Cisco Video Surveillance 2530 Series IP Dome software.

**Table 3.** Cisco Video Surveillance 2530 Series IP Dome Primary Software Features

Item	Specification
<b>Activity detection</b>	Four user-definable motion detection areas; e-mail alert and FTP uploading of captured video or JPEG snapshots triggered by motion alert
<b>Video format</b>	NTSC and PAL
<b>Day/Night settings</b>	Auto or manual day/night operation with user-definable thresholds
<b>Image settings</b>	Configurable brightness, sharpness, contrast, saturation, and white balance
<b>Overlay capabilities</b>	Time, date and text
<b>Selectable bit rate</b>	Support for Constant Bit Rate or Variable Bit Rate (constant quality)
<b>IP filtering</b>	Users can enter a list of allowed or blocked IP addresses for viewing video and configuring camera settings
<b>Discovery</b>	Cisco Discovery Protocol, Bonjour Zero-Configuration discovery
<b>Configuration</b>	<ul style="list-style-type: none"> <li>Browser-based using Internet Explorer 6.x with SP2 and later</li> <li>Multiple user access levels with password protection</li> </ul>

## Specifications

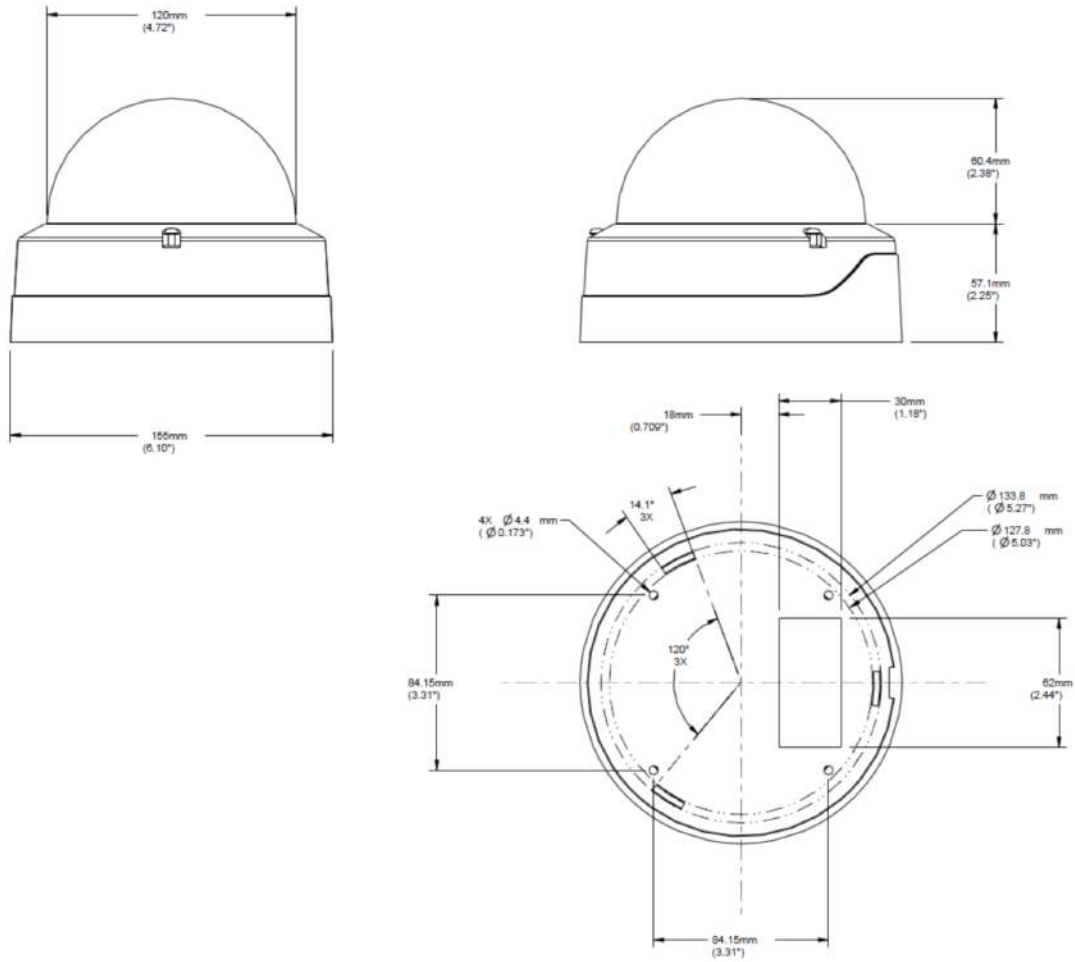
Table 4 provides specifications of the Cisco Video Surveillance 2530 Series IP Dome.

**Table 4.** Cisco Video Surveillance 2530 Series IP Dome Mechanical Specifications

Item	Specification
<b>Housing</b>	Metal base and polycarbonate transparent cover with tamper-resistant mounting IP-66 rated
<b>LEDs</b>	Power and Ethernet
<b>Dimensions (W x H)</b>	6.10 x 4.64 in. 155 x 118 mm
<b>Weight</b>	3.1 lb 1.4 kg

Item	Specification		
<b>Standards Compliance</b>	<b>Safety:</b> UL 60950-1 CAN/CSA-C22.2 No. 60950-1 EN 60950-1 IEC 60950-1 AS/NZS 60950-1	<b>EMC—Emissions:</b> 47CFR Part 15 (CFR 47) Class A AS/NZS CISPR22 Class A CISPR22 Class A EN55022 Class A ICES003 Class A VCCI Class A EN61000-3-2 EN6100-3-3 KN22 Class A CNS13438 Class A	<b>EMC—Immunity</b> EN50082-1 EN61000-6-1 EN55024 CISPR24 EN50130-4 KN immunity series
<b>Operating temperature</b>	-30 to 55°C -22 to 131°F		

**Figure 2.** Cisco Video Surveillance 2530 Series IP Dome dimensions without included conduit case.



## Package Contents

Table 5 describes the items that ship with the Cisco Video Surveillance 2530 Series IP Dome.

**Table 5.** Cisco Video Surveillance 2530 Series IP Dome Package Contents

Item
Cisco Video Surveillance 2530 Series IP Dome
Quick Start Guide
Regulatory Compliance and Safety Information
Accessories: <ul style="list-style-type: none"> <li>• Mini cable with BNC adapter</li> <li>• Y-cable for audio input/output</li> <li>• Mounting template</li> <li>• Rubber sheet</li> <li>• Conduit case</li> <li>• 0.9 mm Allen wrench for locking/unlocking the lens focus ring</li> <li>• TORX security wrench for tamper-resistance screws</li> <li>• 8-32 x 5/16" screws (qty. 4)</li> <li>• Spare gasket (qty. 1)</li> </ul>

## Availability

The Cisco Video Surveillance 2530 Series IP Dome is available through Cisco Authorized Dealers.

## Ordering Information

Table 6 lists the part numbers for the Cisco Video Surveillance 2530 Series IP Dome and accessories.

**Table 6.** Cisco Video Surveillance 2530 Series IP Dome Ordering Information

Part Number	Description
<b>CVIS-IPC-2530V</b>	Indoor/Outdoor Cisco Standard-Definition IP Clear Dome, D/N, 2.8–10 mm, Vandal Resistant
<b>CVIS-IPC-2531V</b>	Indoor/Outdoor Cisco Standard-Definition IP Smoked Dome,, D/N, 2.8–10 mm, Vandal Resistant
<b>CVIS-IPCA-1004=</b>	Dome, Clear, 2500 Series
<b>CVIS-IPCA-1005=</b>	Dome, Smoked, 2500 Series
<b>CVIS-IPCA-1006=</b>	Conduit base spare with extra gaskets, 2500 Dome series

## Service and Support

Cisco offers a wide range of services programs to accelerate customer success. These innovative programs are delivered through a unique combination of people, processes, tools, and partners, resulting in high levels of customer satisfaction. Cisco services help you to protect your network investment, optimize network operations, and prepare your network for new applications to extend network intelligence and the power of your business. For more information about Cisco services, visit [Cisco Technical Support Services](#) or [Cisco Advanced Services](#).

## For More Information

For more information about Cisco Video Surveillance solutions, visit <http://www.cisco.com/en/US/products/ps6712/index.html> or contact your local account representative.



**Americas Headquarters**  
Cisco Systems, Inc.  
San Jose, CA

**Asia Pacific Headquarters**  
Cisco Systems (USA) Pte. Ltd.  
Singapore

**Europe Headquarters**  
Cisco Systems International BV  
Amsterdam, The Netherlands

Cisco has more than 200 offices worldwide. Addresses, phone numbers, and fax numbers are listed on the Cisco Website at [www.cisco.com/go/offices](http://www.cisco.com/go/offices).

CCDE, CCENT, CCSI, Cisco Eos, Cisco HealthPresence, Cisco IronPort, the Cisco logo, Cisco Lumin, Cisco Nexus, Cisco Nurse Connect, Cisco StackPower, Cisco StadiumVision, Cisco TelePresence, Cisco Unified Computing System, Cisco WebEx, DCE, Flip Channels, Flip for Good, Flip Mino, Flip Video, Flip Video (Design), Flipshare (Design), Flip Ultra, and Welcome to the Human Network are trademarks; Changing the Way We Work, Live, Play, and Learn, Cisco Store, and Flip Gift Card are service marks; and Access Registrar, Aironet, AsyncOS, Bringing the Meeting To You, Catalyst, CCDA, CCDP, CCIE, CCIP, CCNA, CCNP, CCSP, CCVP, Cisco, the Cisco Certified Internetwork Expert logo, Cisco IOS, Cisco Press, Cisco Systems, Cisco Systems Capital, the Cisco Systems logo, Cisco Unity, Collaboration Without Limitation, EtherFast, EtherSwitch, Event Center, Fast Step, Follow Me Browsing, FormShare, GigaDrive, HomeLink, Internet Quotient, IOS, iPhone, iQuick Study, IronPort, the IronPort logo, LightStream, Linksys, MediaTone, MeetingPlace, MeetingPlace Chime Sound, MGX, Networkers, Networking Academy, Network Registrar, PCNow, PIX, PowerPanels, ProConnect, ScriptShare, SenderBase, SMARTnet, Spectrum Expert, StackWise, The Fastest Way to Increase Your Internet Quotient, TransPath, WebEx, and the WebEx logo are registered trademarks of Cisco Systems, Inc. and/or its affiliates in the United States and certain other countries.

All other trademarks mentioned in this document or website are the property of their respective owners. The use of the word partner does not imply a partnership relationship between Cisco and any other company. (0907R)